

**MEK.A.NIK.A**

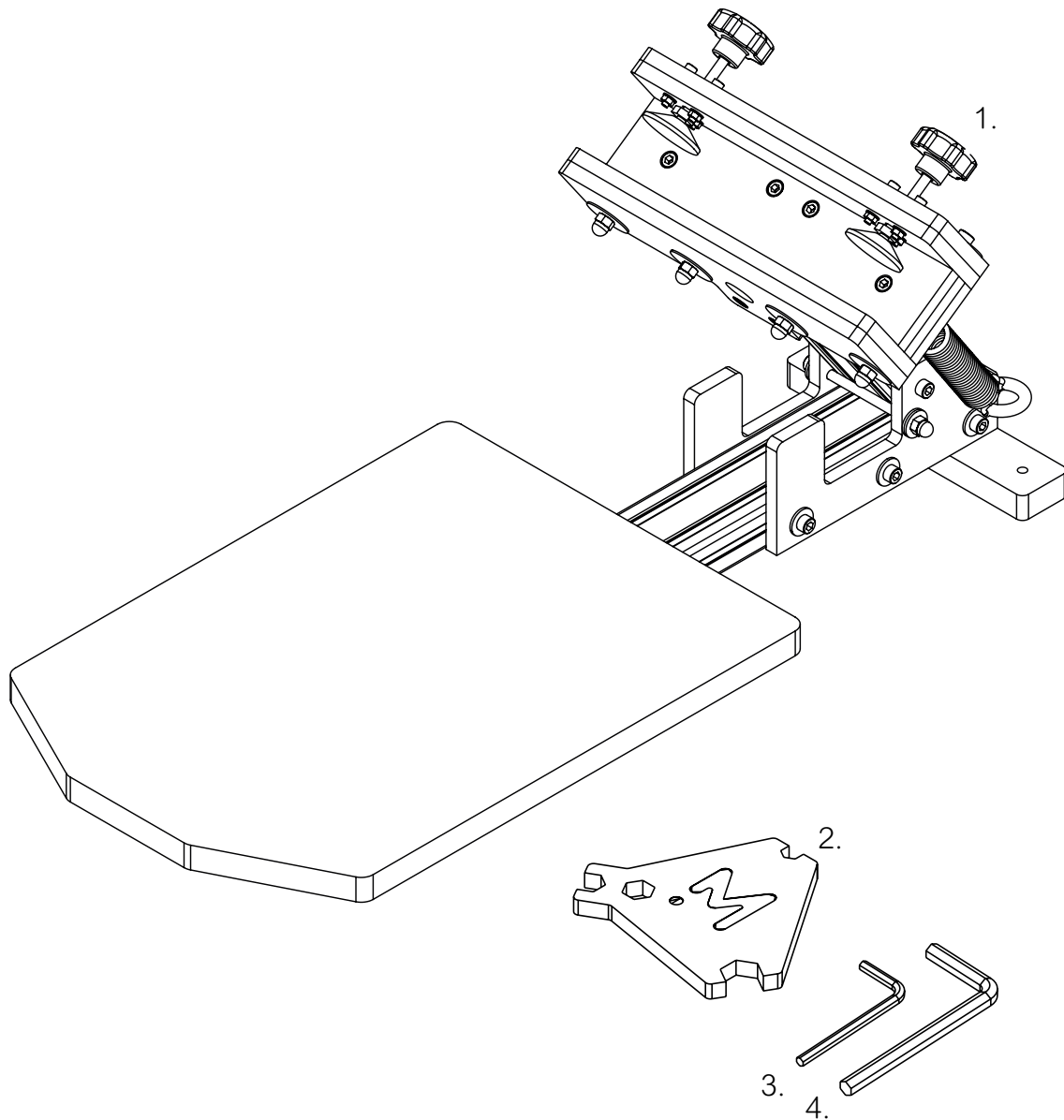
SCREEN PRINTING

---

**MONOCHROME PRESS**

1.Screen printing press 2.Multi-tool 3. Hex key 3mm 4.Hex key 5mm

You have to set up the screen printing press yourself. Refer to the assembly guide available for download on our website: [www.mekanika.io/screen-printing-press](http://www.mekanika.io/screen-printing-press)



## Assembly of the screen printing press

- Make yourself comfortable, the assembly should take you between 1h and 1h30.
- Use the small ruler below to identify screws of different sizes.
- In addition to the tools provided in the kit, you will need a screwdriver and a tape measure or ruler.

