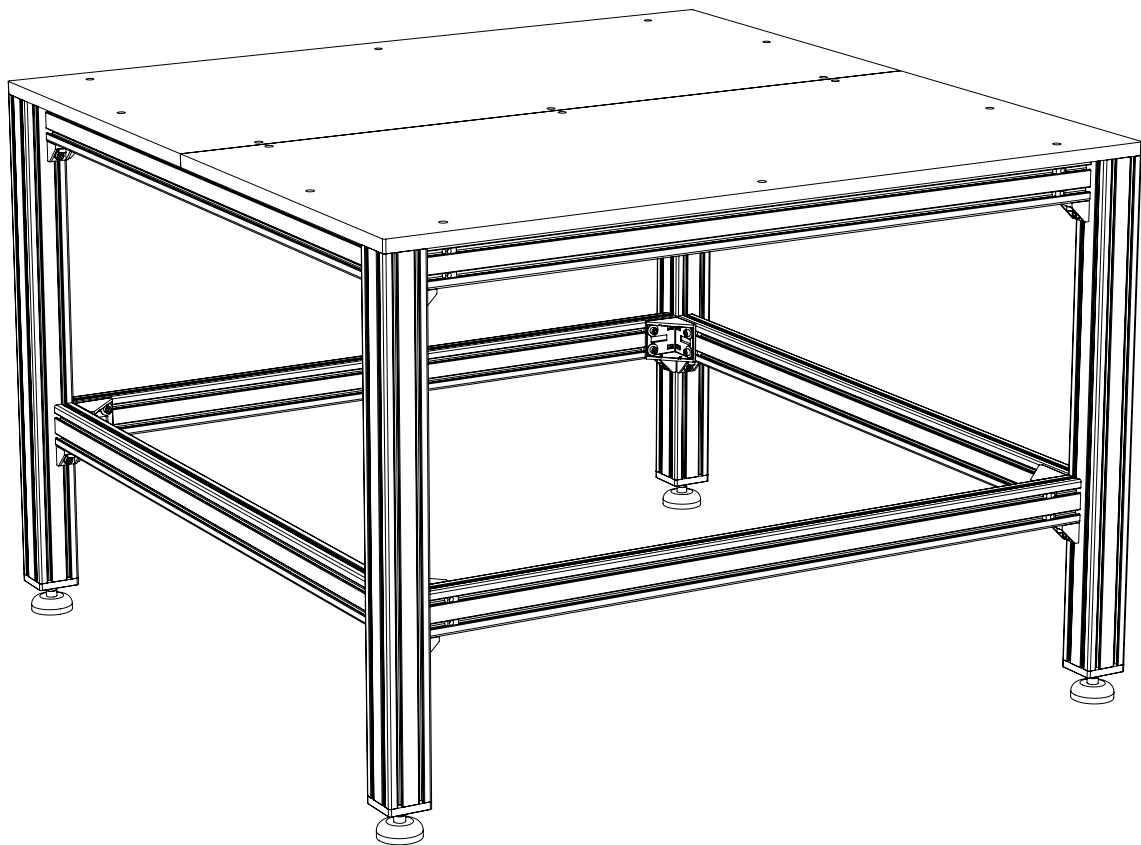


MEK.A.NIK.A.

WORKTABLE

KIT CONTENT

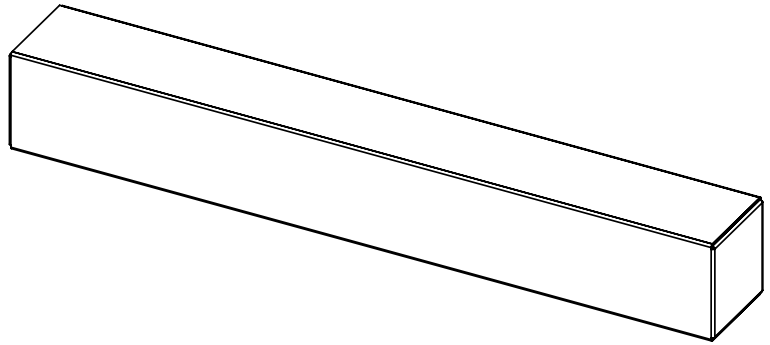


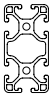
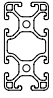
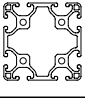
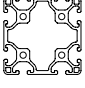
KIT CONTENT

WORKTABLE

BOX 1/2

↳ Structural components



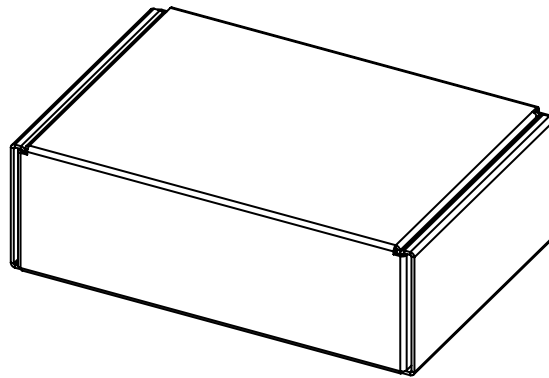
| ITEM | NAME | TYPE | S | M | L |
|---|-----------------------|---------|---|---|---|
|  | Aluminium 6030 I-type | 980 mm | 9 | 5 | / |
|  | Aluminium 6030 I-type | 1380 mm | / | 4 | 8 |
|  | Aluminium 6060 I-type | 700 mm | 4 | 4 | 4 |
|  | Aluminium 6060 I-type | 1380 mm | / | / | 1 |




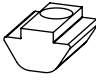

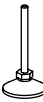
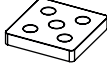
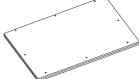


KIT CONTENT

WORKTABLE

BOX 2/2

↳ Mechanical components



| ITEM | NAME | TYPE | S | M | L |
|---|---------------------------|--------|----|----|----|
|  | Screw DIN 912 | M6x16 | 88 | 88 | 96 |
|  | Screw DIN912 | M6x20 | | 16 | |
|  | Washer DIN9021 | M6x18 | 72 | 72 | 80 |
|  | Nut I-Type | M6 | 88 | 88 | 96 |
|  | Jam Nut | M12 | | 4 | |
|  | Foot | M12x60 | | 4 | |
|  | Foot bracket | 60x60 | | 4 | |
|  | MDF surface | 18 mm | | 2 | |
|  | Angle bracket I-Type 30 | - | 20 | 20 | 16 |
|  | Angle bracket B-type 6060 | - | 8 | 8 | 12 |